

DATA SHEET

DT 4.6/0-61

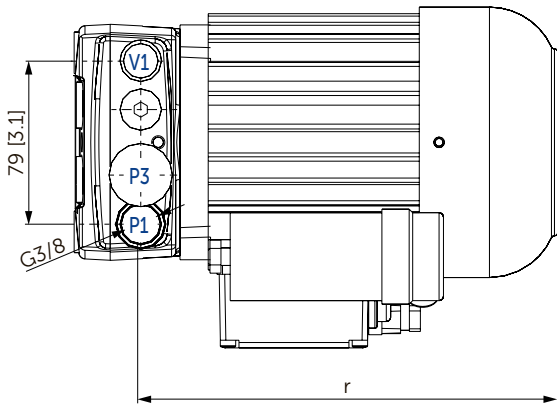
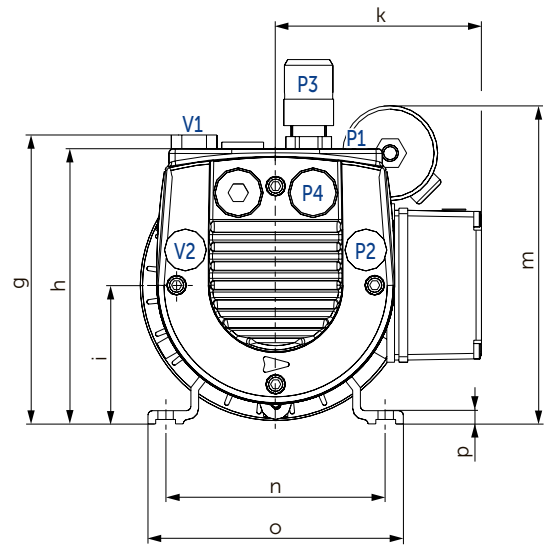
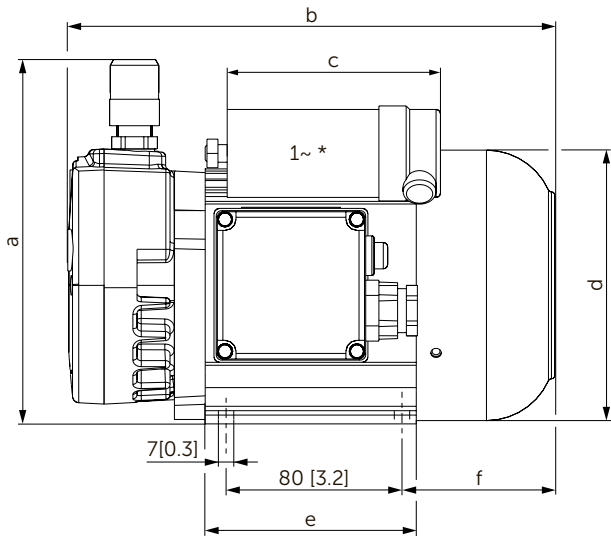
ROTARY VANE COMPRESSORS

oil-free

air-cooled

MAKE IT BECKER.





P1 (P2) Pressure connection (G^{3/8})

P3 (P4) Pressure regulating valve

V1 (V2) Air nozzle

(XX) Alternative

* The size and position of the capacitor can change with changed voltage / frequency.

▪ Including integrated suction air filter

▪ The motor illustration may vary

▪ Dimensions in mm [inch]

Motors	mm [inch]												
	a	b	d	e	f	g	h	i	k	n	o	p	r
3~	165.5 [6.5]	221.5 [8.7]	125 [4.9]	96 [3.9]	69.5 [2.7]	132 [5.2]	125.5 [4.9]	63 [2.5]	93 [3.7]	100 [3.9]	116 [4.6]	6 [0.24]	191 [7.5]
1~	165.5 [6.5]	221.5 [8.7]	125 [4.9]	96 [3.9]	69.5 [2.7]	132 [5.2]	125.5 [4.9]	63 [2.5]	93 [3.7]	100 [3.9]	116 [4.6]	6 [0.24]	191 [7.5]

Blast air rate		Pressure relative		Emission sound pressure level ¹⁾		Weight incl. motor ²⁾
m ³ /h		mbar		dB(A)		
50 Hz	60 Hz	50 Hz	60 Hz	50 Hz	60 Hz	kg
5.7	6.4	+0.5	+0.5	67.0	69.0	≈7.0

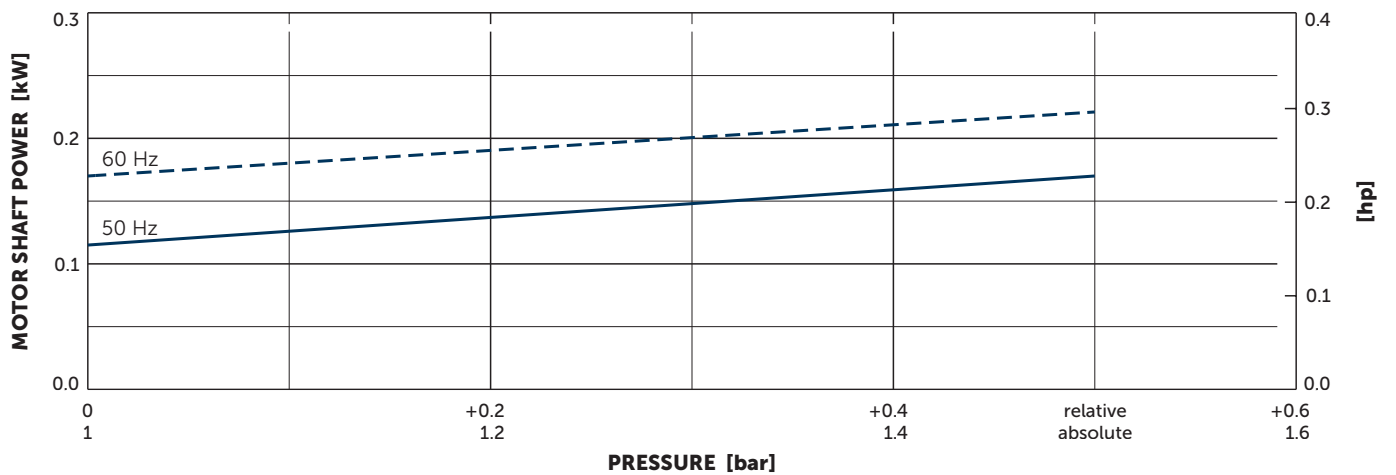
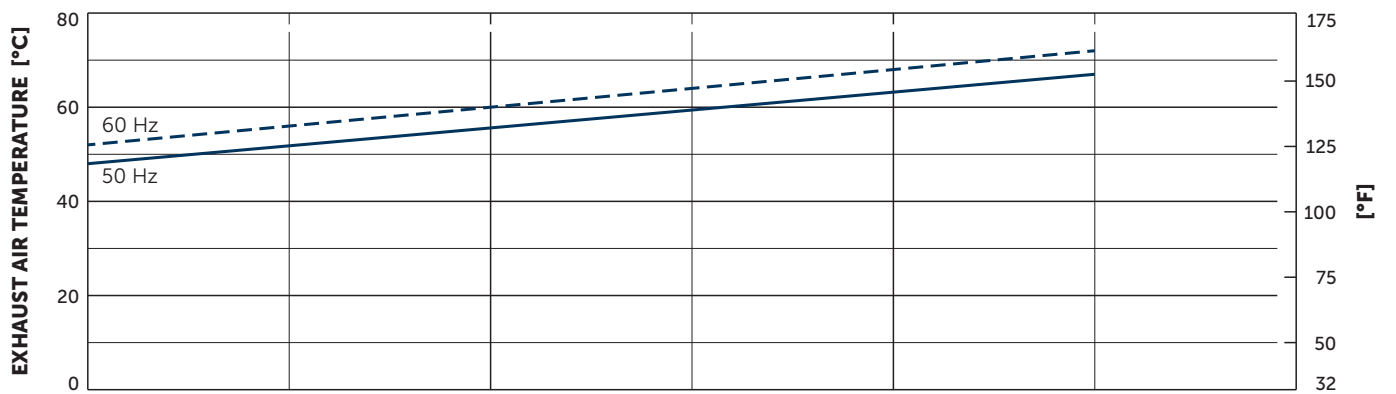
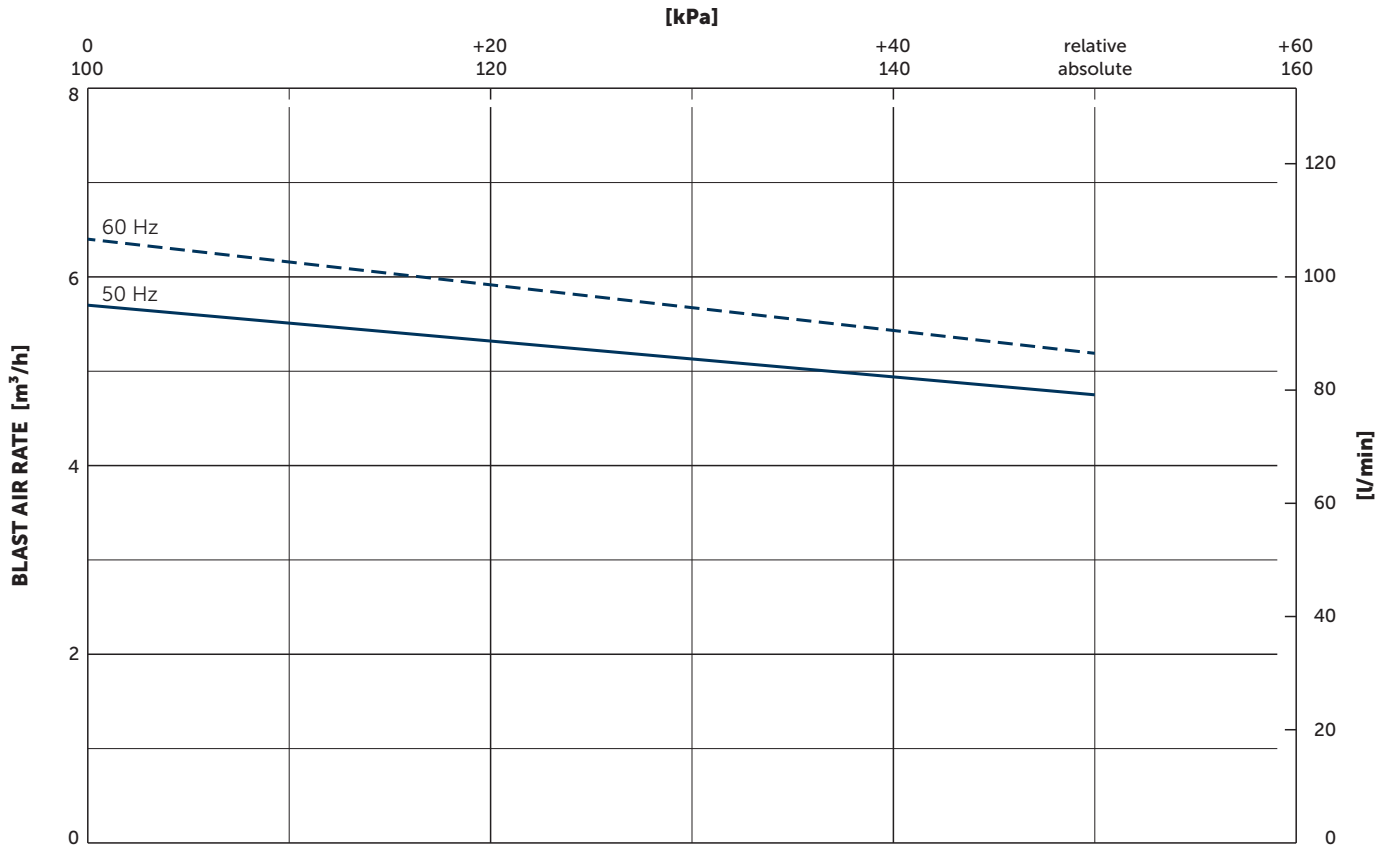
¹⁾ According to DIN EN ISO 3744 (KpA = 3 dB(A)), 1 m [39.4 inch] distance, at medium load, both connection sides piped

²⁾ Depending on the motor

3~ Motors											
#	50 Hz				60 Hz				Version		
	kW	V	rpm	A	kW	V	rpm	A			
01	0.18	Δ 230/Y400	IE2	2905	1.39/0.80	0.22	Δ 208/Y360	IE4	3420	1.12/0.65	
						0.22	Δ 230/Y400	IE2	3460	1.16/0.65	
						0.18	Δ 265/Y460	IE2	3515	1.26/0.73	
						0.22	Δ 265/Y460	IE2	3495	1.32/0.76	
02	0.18	175–260/300–450		2800	1.08/0.62	0.216	202–300/350–520		3360	1.08/0.63	IP54 • ISO F

1~ Motor									
#	50 Hz				60 Hz				Version
	kW	V	rpm	A	kW	V	rpm	A	
01	0.18	230 \pm 10%	2750	1.65	0.216	230 \pm 10%	3200	1.65	IP54 • ISO F • bimetal 4,5 μ F (400 V)

- Current consumption and rotation speed may vary. Tolerance in each case -1.5/+2%



Reference data (atmosphere): 1000 mbar (100 kPa), 20°C (68°F)
 Tolerance: ±10%



MAKE IT BECKER.